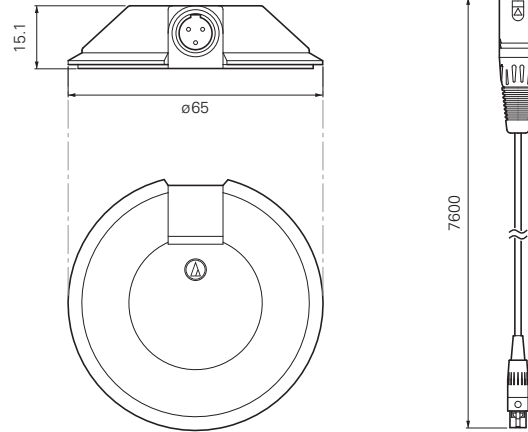




U841R

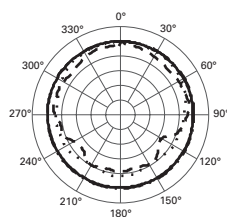
Specifications

Dimensions



(Unit: mm)

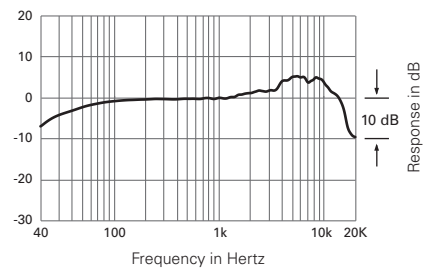
Polar pattern



LEGEND

200 Hz	— · — ·	SCALE IS 5 DECIBELS PER DIVISION
1 kHz	—	
5 kHz	· · · · ·	
8 kHz	- - - - -	

Frequency response



LEGEND

—	0°, 50 cm
---	-----------

Specifications

Element	: Fixed-charge back plate, permanently polarized condenser
Polar pattern	: Omnidirectional in hemisphere above mounting surface
Frequency response	: 40-20,000 Hz
Open circuit sensitivity	: -35 dB (17.7 mV), (0 dB = 1 V/Pa, 1 kHz)
Impedance	: 200 ohms
Maximum input sound level	: 130 dB SPL (1 kHz at 1% THD)
Dynamic range	: 105 dB (1 kHz at Max SPL)
Signal-to-noise ratio	: 69 dB (1 kHz at 1 Pa, A-weighted)
Phantom power requirements	: 11-52 V DC, 2 mA
Weight	: 84 g (3.0 oz)
Dimensions	: 65.0 mm (2.56") diameter, 15.1 mm (0.59") height
Output connector	: TB3M-type
Cable	: 7.6 m (25.0') long, 3.2 mm (0.13") diameter, 2-conductor, shielded cable with TA3F and XLRM-type connectors
Included accessories	: Pouch
	• 1 Pascal = 10 dynes/cm ² = 10 microbars = 94 dB SPL

For product improvement, the product is subject to modification without notice.