

The SC-615M is a compact, highly intelligible speaker suited to public address announcement applications. Its external speaker component finished with powder coating, and stainless steel bracket and screws ensure the unit's weatherproof capability.

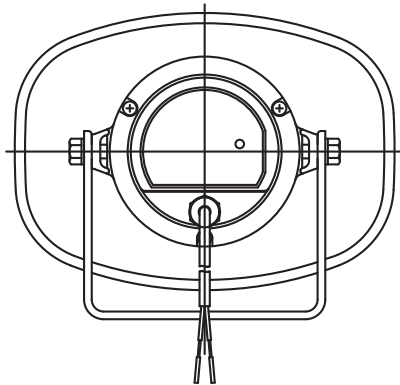


Article number: SC-615M EU
Alternative products: SC-610M, SC-630M

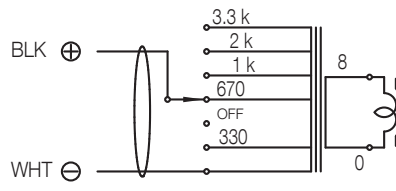
Specifications

| | |
|------------------------|----------------------------------------------------------------|
| Dimensions (W x H x D) | 222 x 179 x 234 mm |
| Dimensions (ø x D) | x 234 mm |
| Finish | Aluminium, powder coating, off-white (RAL 9010 or equivalent), |
| Operating temperature | -20 °C to +55 °C (must be free from dew condensation) |

Appearance



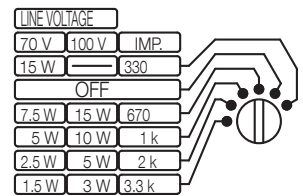
Rear View



(Transformer connection when the speaker is supplied from the factory)

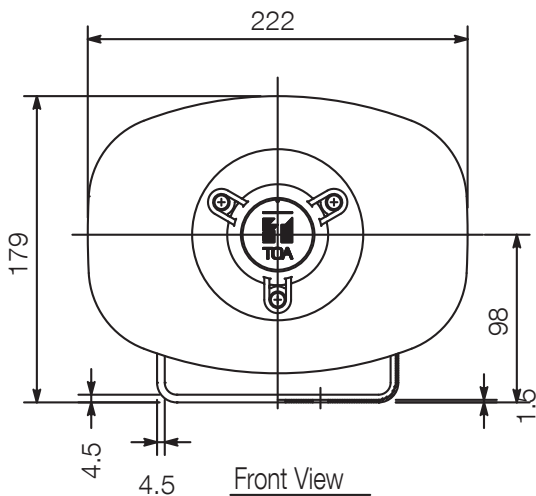
Wiring diagram

CAUTION
NEVER SET THE SWITCH TO " " POSITION FOR 100 V LINE OPERATION, AS DOING SO MAY RESULT IN DAMAGE TO THE SPEAKER.

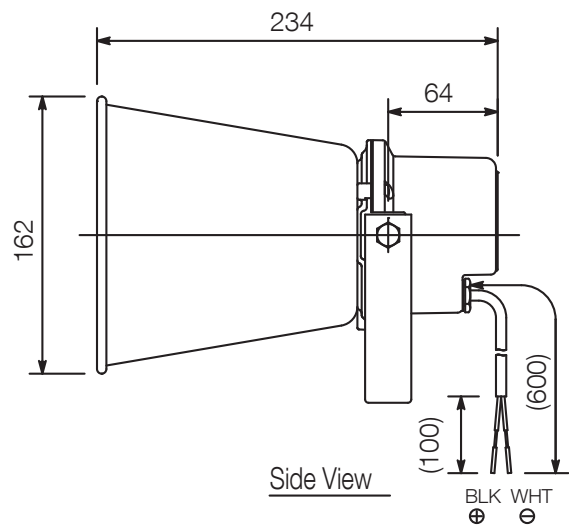


Set the impedance selector to the desired impedance.

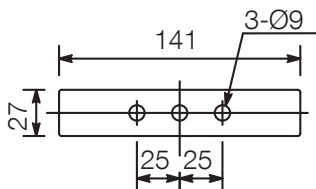
Impedance selection



Front View



Side View



Bracket dimensional diagram

UNIT:mm

SCALE:1/5

Note: Numerical values in parentheses are for reference only.