

## TWO LARGE AND STURDY HANDLES INCLUDING LAPTOP SHELF

CONNECT TO THE DISPLAY MOUNT

### PRODUCT



Large handles on each side of the display increase mobility and help protect the display in transport. A laptop shelf is included and can be mounted on the handles.

### Accessories



Laptop shelf



Laptop shelf

### FEATURES

- > Powder coated in black
- > Set of 2 handles 1 laptop shelf
- > Assembly material for mounting of the handles to the display mount is included
- > Increase of mobility and protection of display in transport
- > Height 85 cm



Display mount

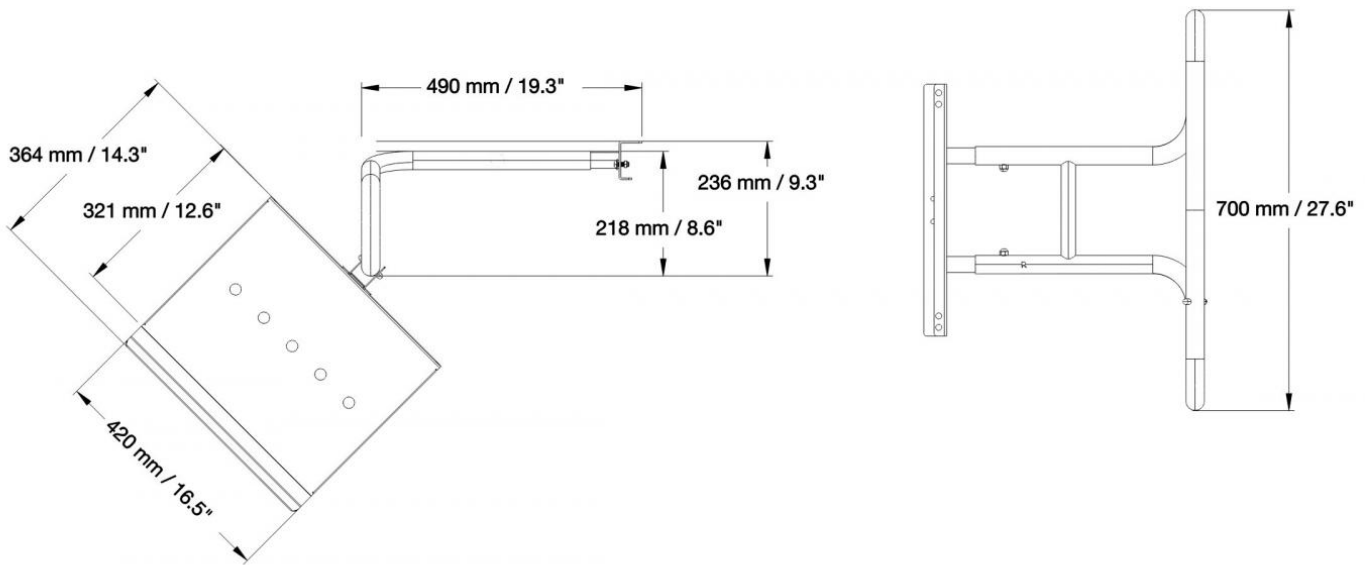


Max. load  
10 kg / 22 lbs

Item number	GRIFF-SCETA	
Frame for all	42" - 86"	
Load capacity	10 kg	22 lbs
Width / Height / Depth	490 mm / 700 mm / 236 mm	19.3" / 27.6" / 9.3"
Weight	12,1 kg	26.7 lbs
Packages	Package dimensions WxHxD	Package weight
GRIFF-SCETA	730 x 240 x 470 mm / 28.7 x 9.4 x 18.5"	13,8 kg / 30.4 lbs

DIMENSIONS

in mm / inch



MANUFACTURER:

CONEN Produkte GmbH  
 Conenstr. 4  
 54497 Morbach-Gonzerath

Phone: +49 (0) 6533 75-100  
 Fax: +49 (0) 6533 75-600  
 E-Mail: info@conenmounts.com

Germany

[www.conenmounts.com](http://www.conenmounts.com)