



DL-P 10-165/T SWF-EN54

- seawater proof
- flat design
- UV-resistant



EN 54-24:2008
Ref. Nr.: 04-19
ID-Code: SAA-LS11
1438-CPR-0718

ic audio GmbH, Boehringerstraße 14a,
D-68307 Mannheim, Germany

CE-Symbol gemäß Richtlinie 93/68EWG

The DL-P 10-165/T SWF-EN54 is ideally suited for indoor and outdoor use on ships. Thanks to its robust construction and high-quality materials, the ceiling speaker offers permanent protection against seawater and UV rays.

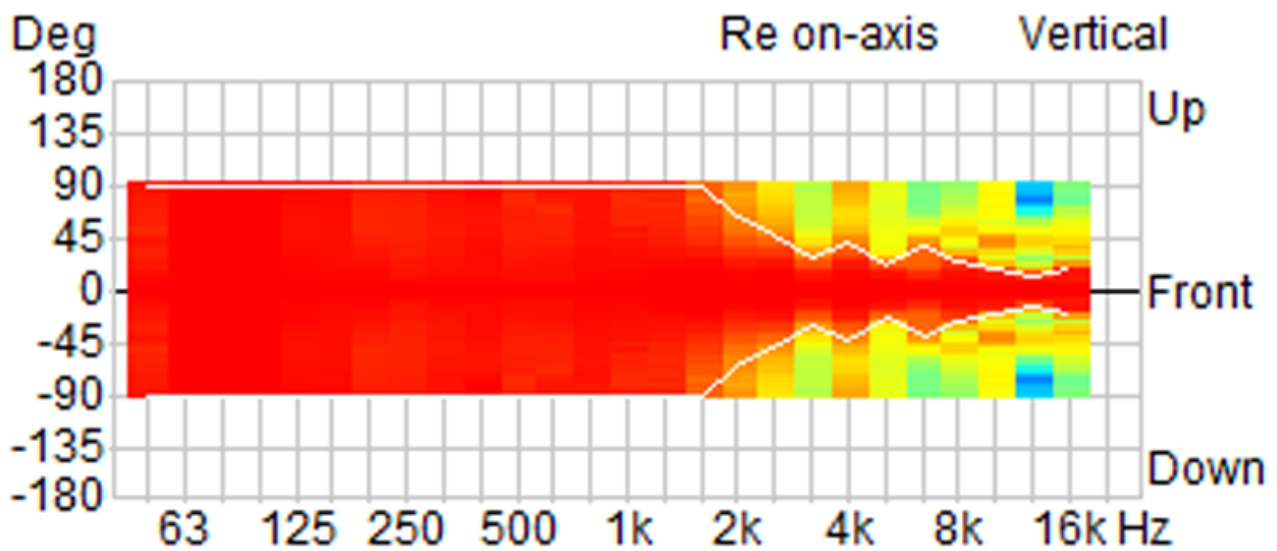
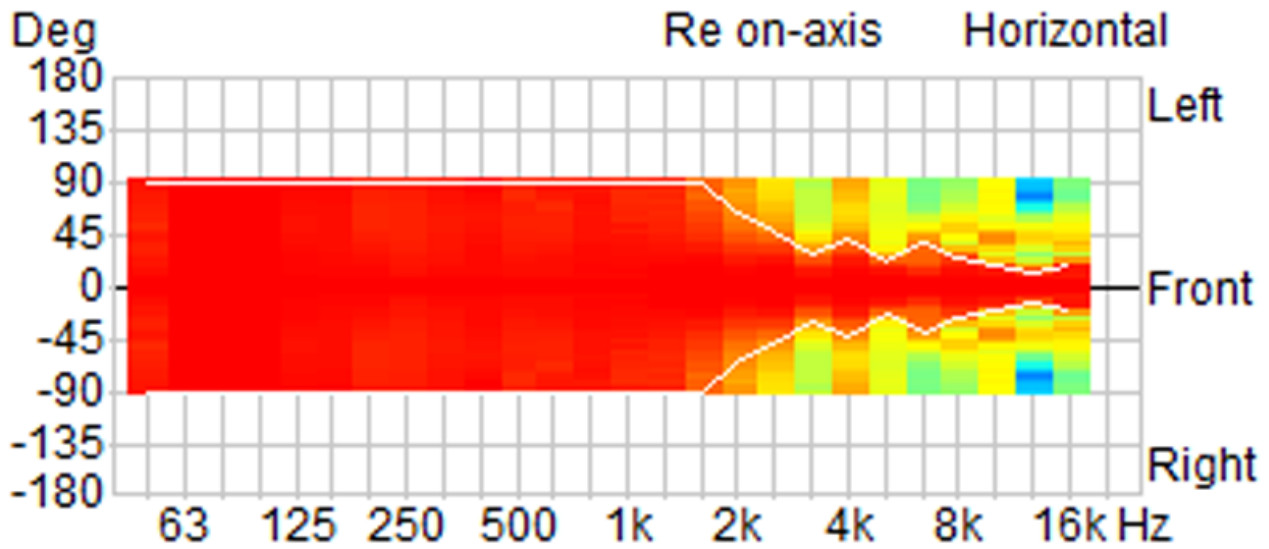
The 10W DL-P is equipped with a 165mm dual cone full-range speaker made of high-quality polypropylene for powerful sound reinforcement. The flat design ABS plastic housing offers a seawater resistant cover of the terminal. Lateral ventilation slots provide optimal frequency response.

Thanks to the PG9 cable entry on the side, a space-saving connection is effortlessly possible.

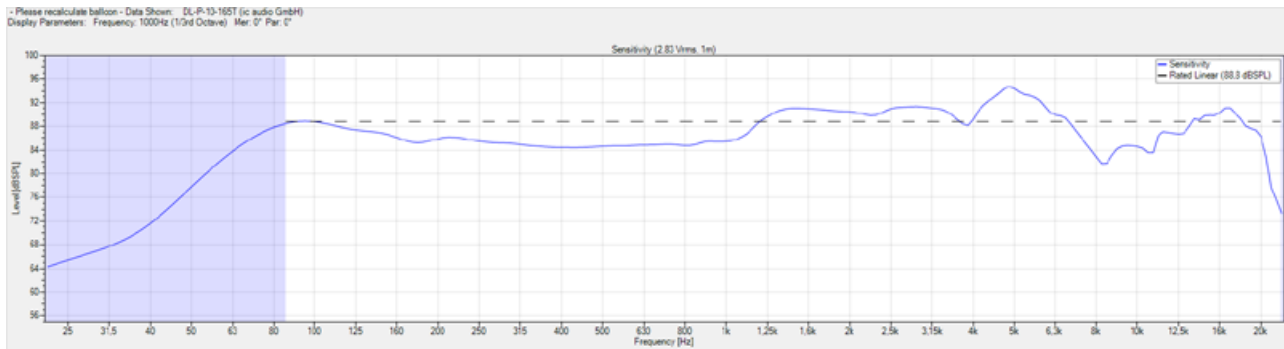
The spring snap system reduces the installation time, protective caps at the spring ends reduce possible vibrations to a minimum. Besides the classical maritime application, the DL-P with EN54-24 certification is also suited for voice alarm installations in swimming pools and similar wet areas.

Thanks to its special protective properties, this loudspeaker is also suitable for clean room applications according ISO 14644-1.

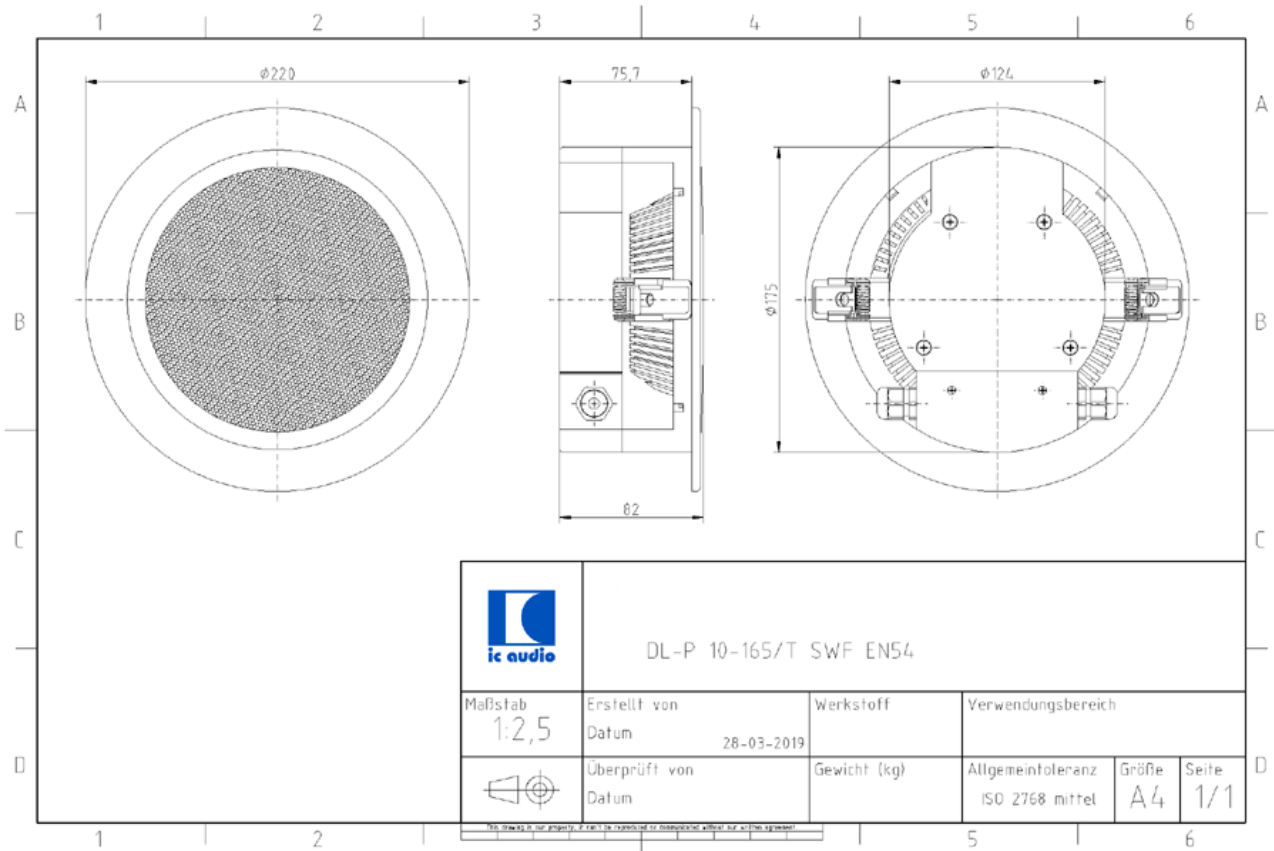
Polar Diagrams



Frequency Response Diagrams



Technical Diagrams



Technical Data (Electrical)

Description	DL-P 10-165/T SWF-EN54
Power	10/6/3/1,5 W
Impedance (100V)	1000/1667/3333/6667 ohm
Frequency Range	50 - 24.000 Hz
Frequency Response	42 - 25.000 Hz
SPL Pmax/4m, peak	86,2 dB
Sensitivity EN54-24, 1W/4m	78,9 dB
Dispersion -6dB, 500Hz	165°
Dispersion -6dB, 1KHz	165°
Dispersion -6dB, 2KHz	145°
Dispersion -6dB, 4KHz	65°

Please note: Because of many different types of ceiling materials and ceiling strengths we recommend to build in a sample of the speaker to match the requirements accurately.

Technical Data (Mechanical)

Dimensions	220x82 mm
IP Rating	IP54
Weight (net)	1,20 kg
Temperature range	-25 / +70 C°
Mounting	Quick fit mounting
Connector	5-pin terminal
Maximum cable cross section	8mm ²
Max. cable cross section loop	2x2mm ²
Colour	RAL 9016

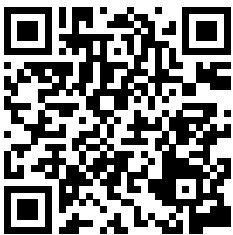
Product Attributes



ic audio loudspeakers are tested and classified according to the IEC standard 60529 (degree of protection by enclosure) against the penetration of foreign objects and moisture. The classification is conforming to standards through characterization with a fixed code. This code consists of the letters IP (International Protection) followed by two digits. The first digit indicates the degree of protection against dust and the second digit the degree of protection against water. Please note that the testing of the products has been carried out in laboratory conditions which are not always 100% comparable with the conditions of different installation environments. This protection can be reduced due to normal wear and tear depending on the installation environment.

RoHS compliant (2011/65/EU)

The IP rating specified is based on ic audio test results, not on CNBOP-PIB test results. Certification only verifies the minimum requirements for EN54-24 compliance.



Article Nr.: 20194372

Packing Unit: 12

