

Model DD-BTN44 Wall-Mounted Bi-Directional Line-Level and Bluetooth® Audio Dante Interface



- Bluetooth Audio Input for Dante Networked System
- Consumer Audio Inputs on Mini-Jack or RCA Jacks
- Return Audio Talk Channel from Dante Network to Bluetooth Connected Device
- Consumer Audio Outputs on Mini-Jack
- Balanced and Unbalanced Audio Line Outputs on Rear Panel
- Intuitive Single Button Bluetooth Pairing with LED Status Indication
- Special Software Not Required for Module Setup
- Customize the Module ID Name and Settings through the Bluetooth Connection
- Mono or Stereo Mode for Audio Inputs is Switch-Selectable Behind Cover Plate
- Module is PoE Powered

APPLICATION: The D SERIES-BTN44 modules are wall-mounted user Dante audio interfaces that include bidirectional Bluetooth audio, unbalanced analog stereo or mono audio inputs and outputs, and a balanced or unbalanced line-level output. Stereo audio from a compatible Bluetooth-enabled device feeds two Dante network audio channels. Stereo audio connected to a front-panel Mini-Jack or L and R RCA jacks feeds two other Dante network audio channels.


Stereo audio is available to users through a front-panel Mini-Jack fed from two Dante network channels. A rear-panel terminal block provides either a balanced (+4 dBu) or unbalanced (-10 dBV) output from one Dante network channel. That output may feed a variety of RDL wall panels to provide a specific mic or line level output to users, or it may be used to feed the audio power amplifier in the associated audio zone. One Dante channel may be routed back to a connected device through the Bluetooth interface enabling full duplex communication.

The D SERIES-BTN44 modules are powered from PoE. The installer can customize the module name and programming password through the Bluetooth connection using a smartphone, computer or tablet terminal program. These modules feature studio-quality circuits and analog filters to provide audio performance exceeding expectations from consumer interface technologies. High performance, simplicity of operation and efficiency of installation make RDL the best value in professional Bluetooth interfaces.

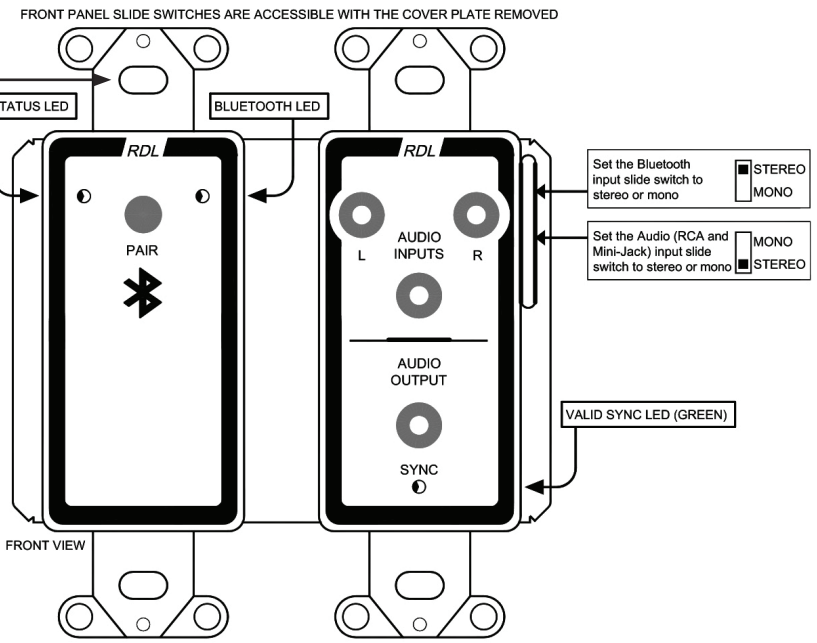
Model DD-BTN44

Wall-Mounted Bi-Directional Line-Level and Bluetooth® Audio Dante Interface

Installation/Operation

 Declaration of Conformity available from rdlnet.com.
Sole EMC specifications provided on product package.
Specifications are subject to change without notice.

Fasten this unit into a wall box or chassis by threading the four mounting screws (included) into the corresponding holes in the wall box/chassis.



Instructions for Bluetooth pairing

These instructions are based on the default RDL unit identification as RDL_BT_FA. If the RDL unit has been renamed by the installer, substitute the new name for RDL_BT_FA in the following steps.

PAIRING

- 1] Press and hold the PAIR button until the blue LED on the RDL unit illuminates, then release.

Note: The blue LED flashes as long as the unit is available for pairing. If the blue LED stops flashing before the pairing process is completed, restart these steps.

- 2] While the blue LED is flashing, locate RDL_BT_FA on your device's Bluetooth settings and click PAIR DEVICE, following screen prompts to complete the pairing process.

Note: The blue LED glows steady while the RDL unit is paired.

UN-PAIRING

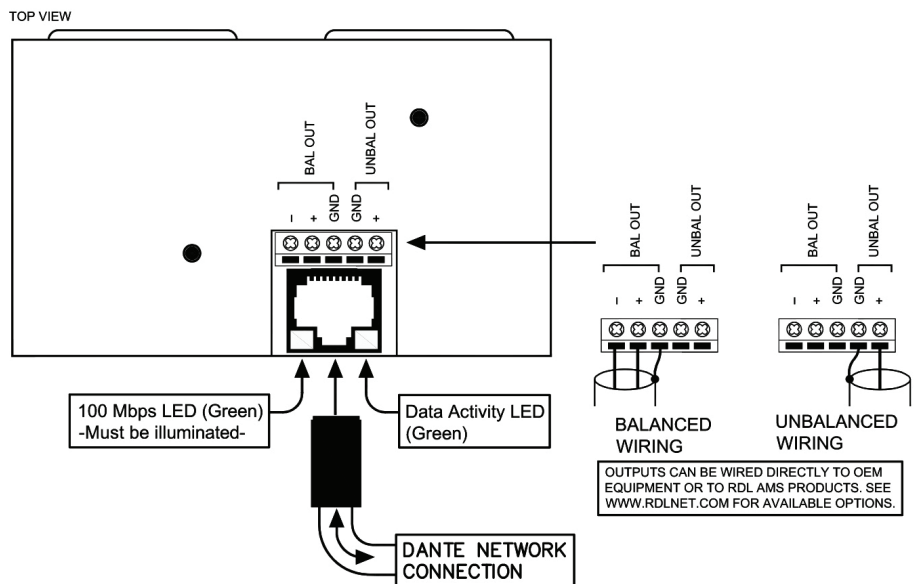
The RDL unit will unpair automatically 30 seconds after the user device leaves the area. The user device may be manually disconnected by pressing and holding the PAIR button on the RDL unit.

RE-PAIRING

- 1] Press and hold the PAIR button until the blue LED on the RDL unit illuminates, then release.
- 2] While the blue LED is flashing, locate RDL_BT_FA under Previously Connected Devices on your device's Bluetooth settings and click RDL_BT_FA, following screen prompts to complete the re-pairing process.

Note: If the re-pairing fails, click Forget Device on the user device and pair the RDL unit as a new device.

Upon successful pairing, the user device applications for audio playback through a Bluetooth interface may be used.



Scan the QR code above or see the DD SERIES-BTN44 page at rdlnet.com for programming information.

Model DD-BTN44

Wall-Mounted Bi-Directional Line-Level and Bluetooth® Audio Dante Interface

This product is not specified to provide basic insulation from network cabling not installed wholly within the same building structure or terminated on equipment earthed to a different earthing network.

TYPICAL PERFORMANCE

Network Connector: RJ45 with Link and Speed indicators
 Digital Audio Ethernet Protocol: Dante
 Transmission Rate: 100 Mbps
 Sample Rates Supported: 44.1 kHz, 48 kHz (default)
 Bit Depth Supported: 24 bits
 Audio Operating Levels: -20 dBFS = +4 dBu (balanced); -20 dBFS = -10 dBV (unbalanced), nominal

Bluetooth® to Network Interface Section

Frequency Response: 20 Hz to 20 kHz (± 0.5 dB)
 THD+N: < 0.1%
 Noise below -20 dBFS: < -70 dB

Network to Bluetooth® Interface Section

Voice signal feeding device: One Dante channel (mono, -20 dBFS nominal)

Network to Mini Jack Output Section

Output: Stereo mini-jack
 Frequency Response: 20 Hz to 20 kHz (± 0.75)
 THD+N: < 0.05%
 Noise below -20 dBFS: < -80 dB
 Crosstalk (channel to channel): < 80 dB (1 kHz); < 65 dB (20 kHz)

Network to Line Output Section

Outputs: Balanced and unbalanced on detachable terminal block
 Frequency Response: 20 Hz to 20 kHz (± 0.5 dB)
 THD+N: < 0.05%
 Noise below -20 dBFS: < -80 dB

Line Inputs to Network Interface Section

Inputs (4): Stereo mini-jack (L and R); RCA jack (L and R)
 Dante channels used (2): L and R
 Frequency Response: 20 Hz to 20 kHz (± 0.25)
 THD+N: < 0.05%
 Noise below -20 dBFS: < -75 dB
 Crosstalk (channel to channel): < 75 dB

Common

Indicators (5): Bluetooth® (2), Network Sync
 Power Connection: PoE (RJ45)
 Ambient Operating Environment: 0° C to 40° C
 Power Requirement: PoE
 PoE: Class 0, IEEE 802.3af
 Dimensions: 3.52" (8.94 cm) W; 4.11" (10.44 cm) H; 2.09" (5.31 cm) D
 Package Type: Cardboard Box
 Package Dimensions: 6.0 x 6.0 x 2.625 in.
 Shipping Weight: 1.15 lb.
 WEEE weight: 0.78 lbs.
 Tariff code: 8518.50.0000