

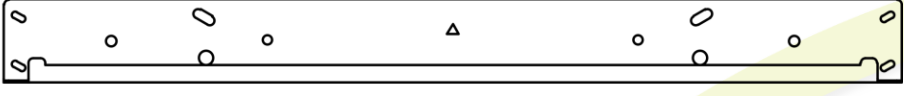
Installation manual

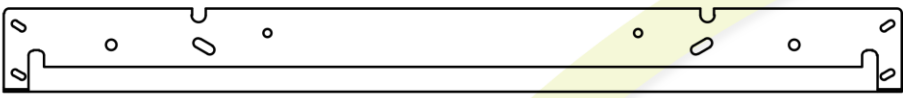
Part nr. 902916-02


Universal Vesa Bracket


For the BalanceBox®400, BalanceBox®650 and accessories


What's in the box


A 

B 

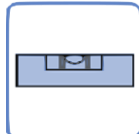
C 

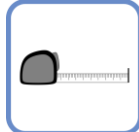
C 

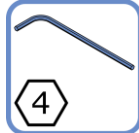
D  Bag of screws; 539962


E  Bag of screws; 539963

Tools needed







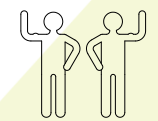




Safety Instructions





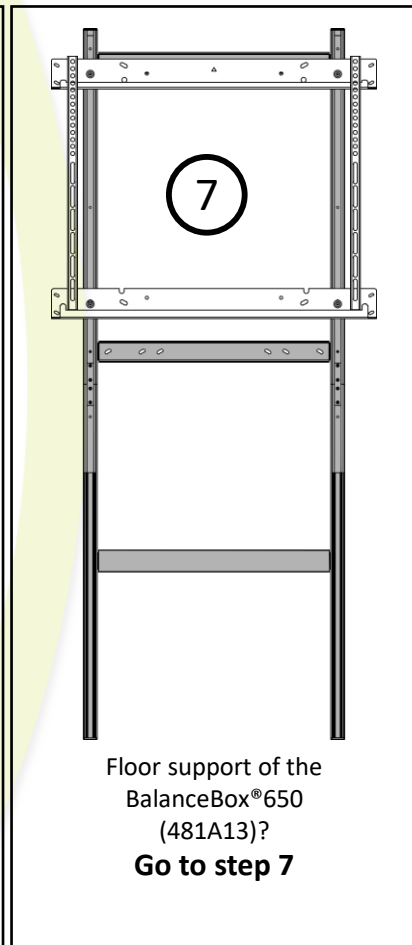
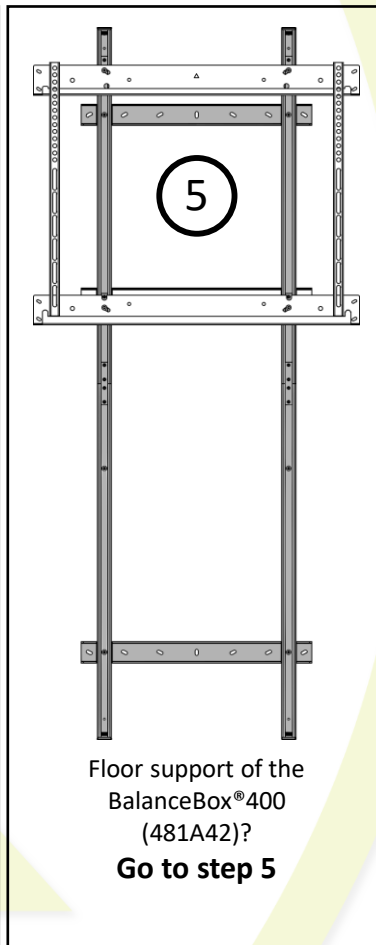
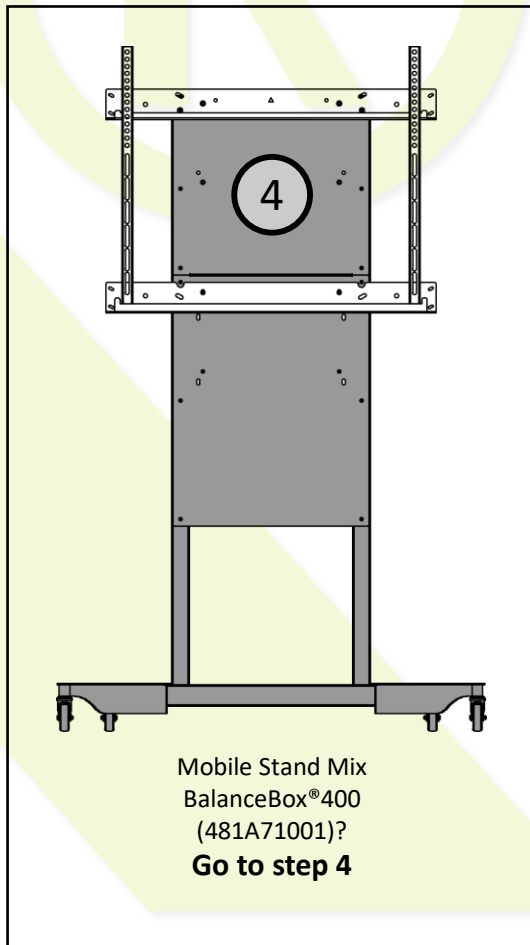
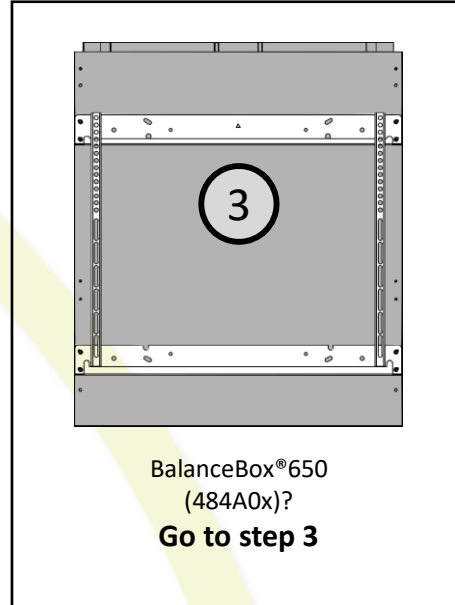
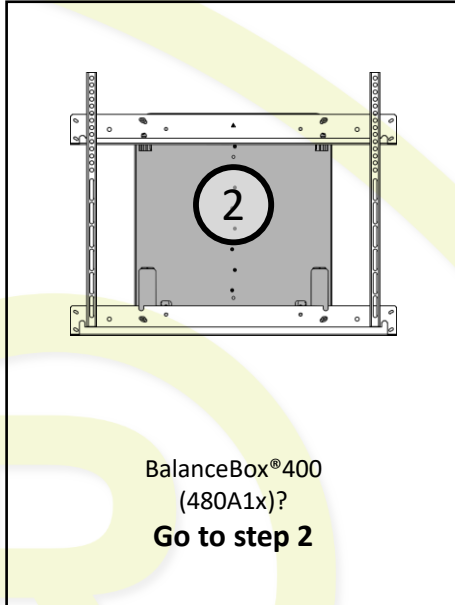


Universal Vesa Bracket

For the BalanceBox®400, BalanceBox®650 and accessories

1

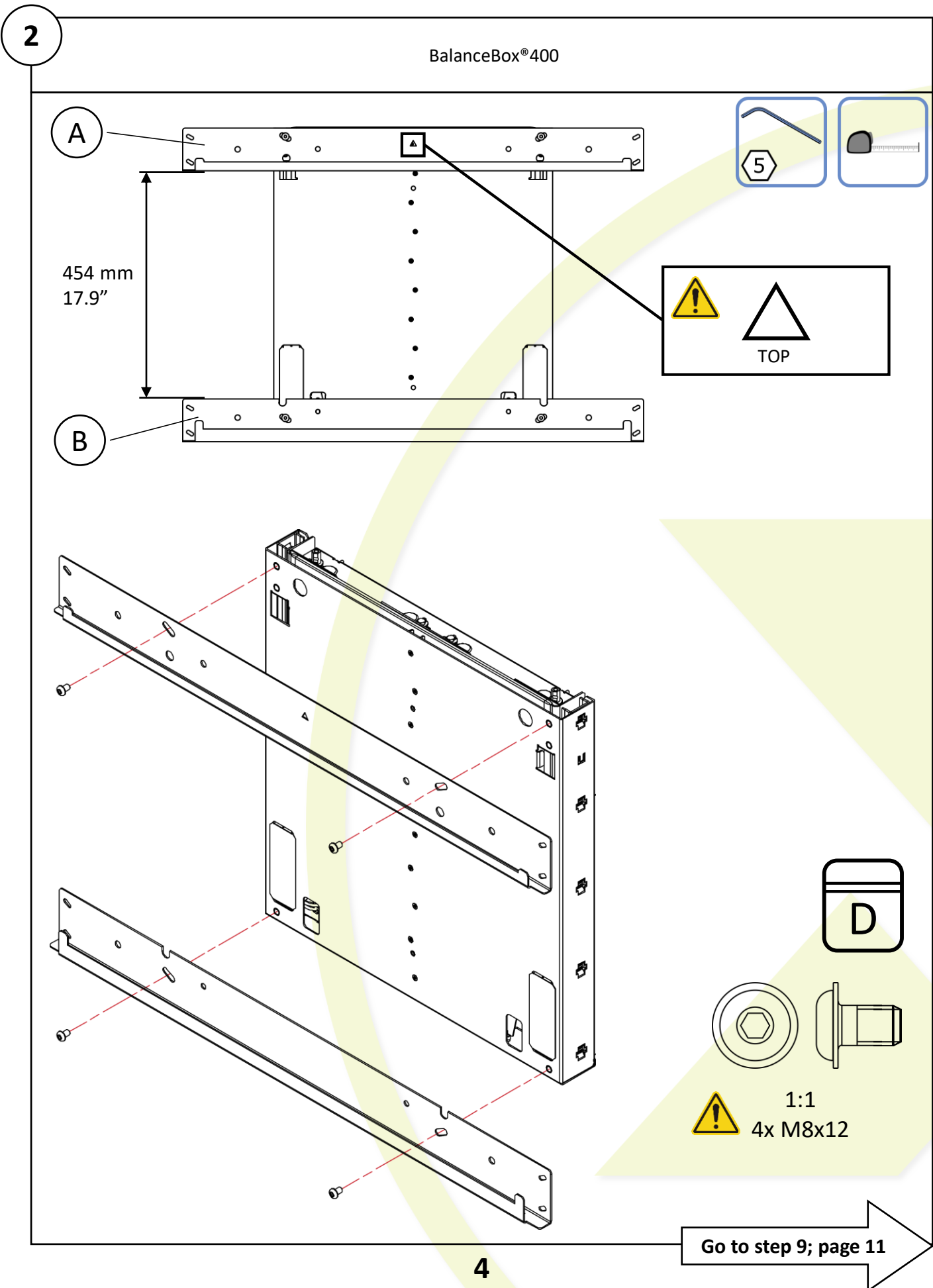
Choose on what BalanceBox® product you want to mount the Universal Vesa Bracket



3

Universal Vesa Bracket

For the BalanceBox®400, BalanceBox®650 and accessories



Universal Vesa Bracket

For the BalanceBox®400, BalanceBox®650 and accessories

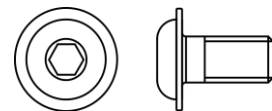
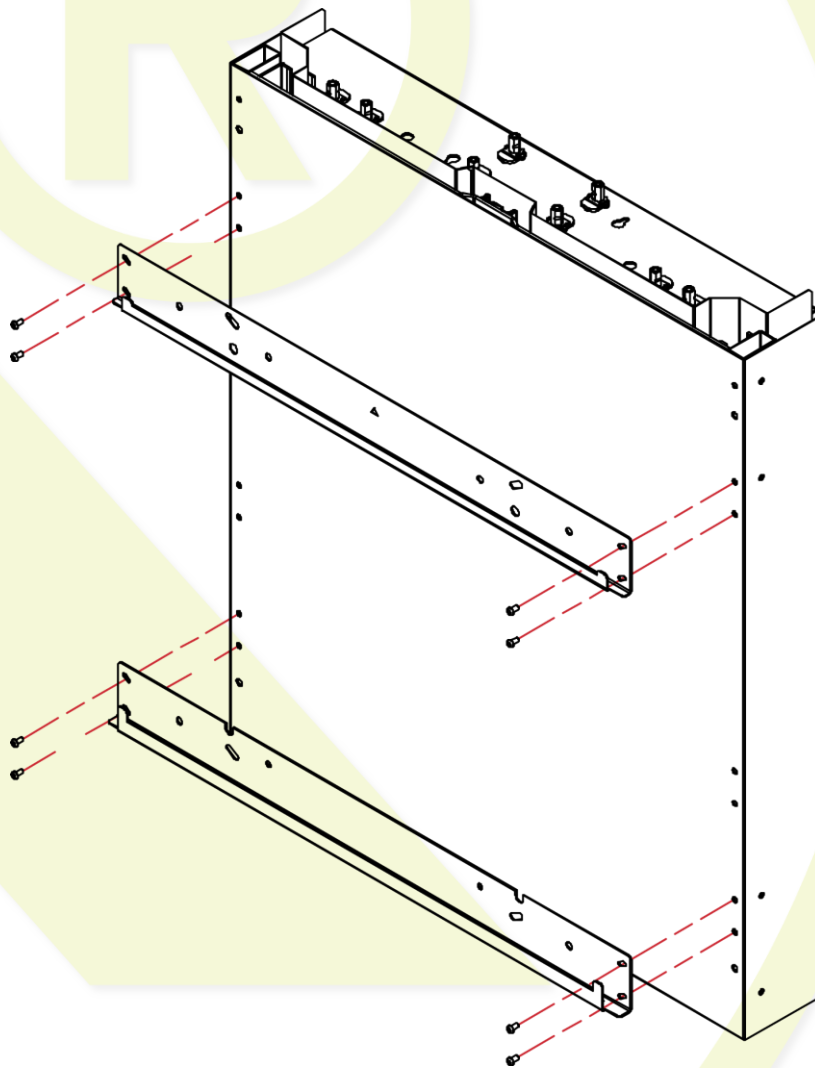
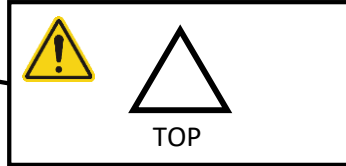
3

BalanceBox®650

A

565 mm
22 1/4"

B



1:1
8x M6x12

Go to step 9; page 11

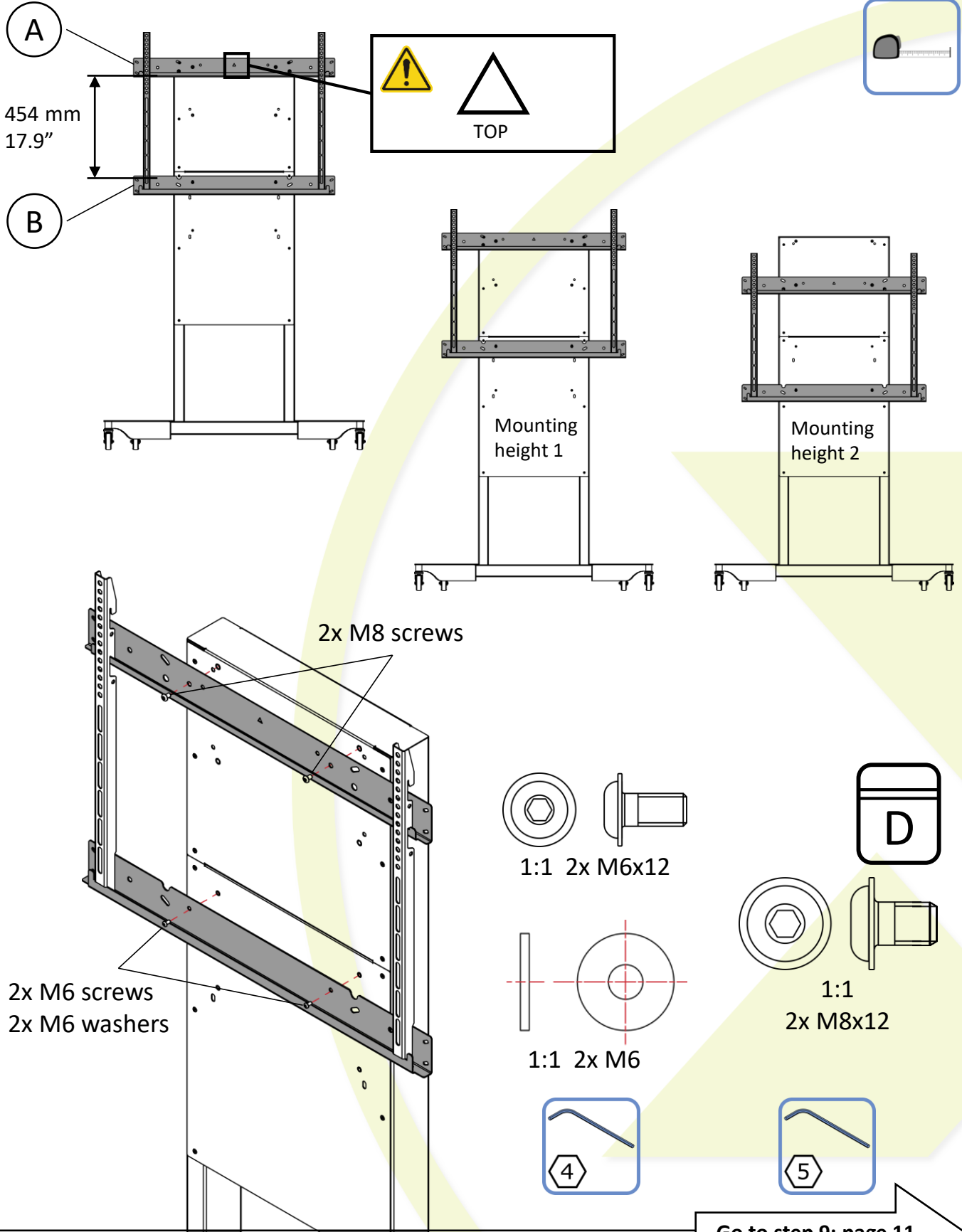
5

Universal Vesa Bracket

For the BalanceBox®400, BalanceBox®650 and accessories

4

Mobile Stand Mix



6

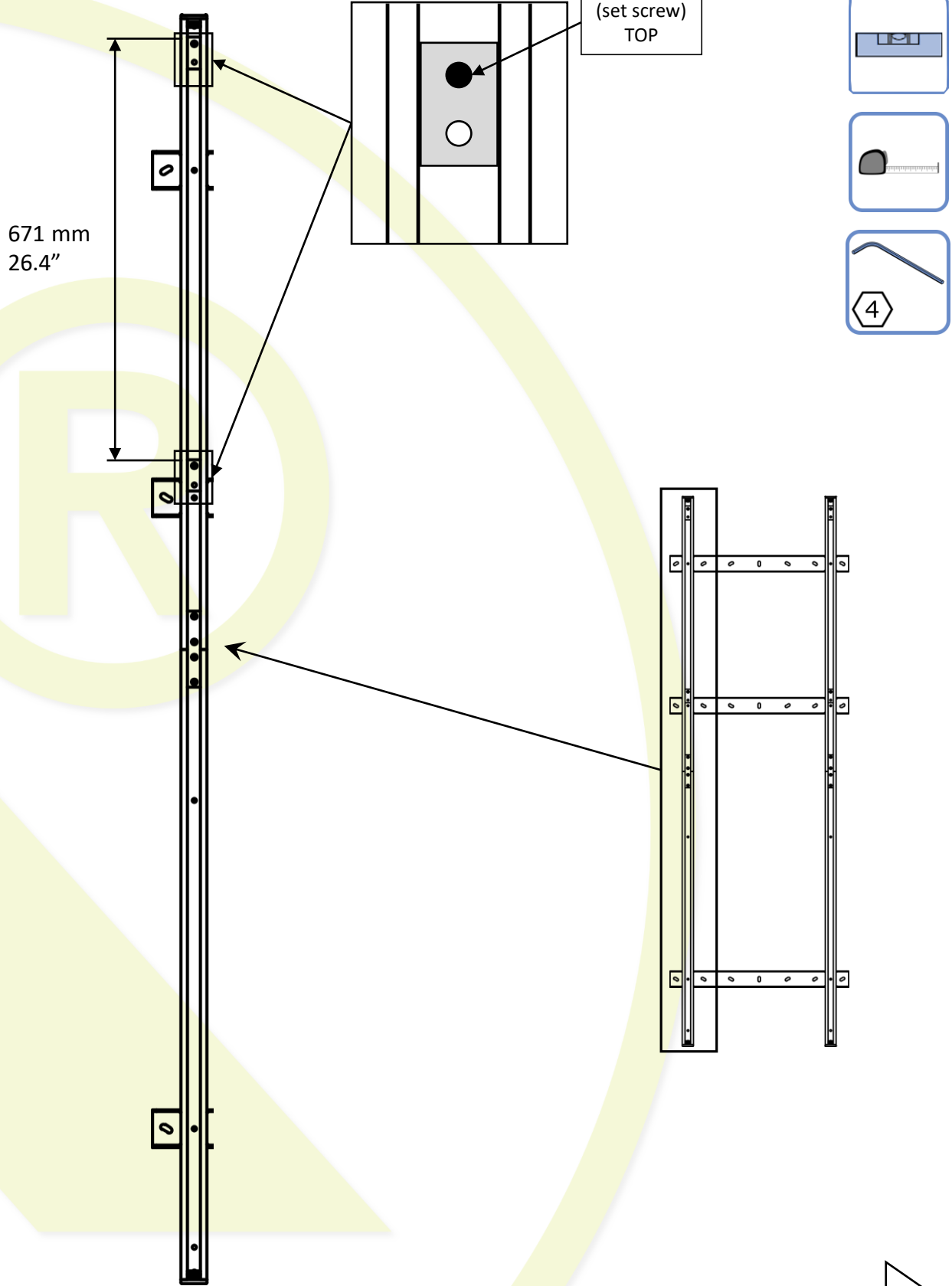
Part nr. 902916-02

Universal Vesa Bracket

For the BalanceBox®400, BalanceBox®650 and accessories

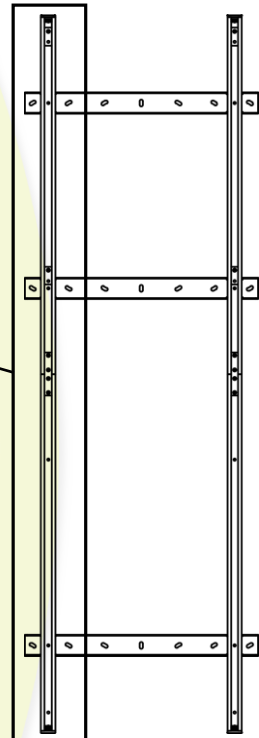
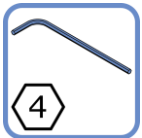
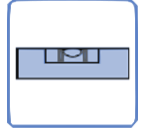
5

Floorsupport BalanceBox®400



671 mm
26.4"

(set screw)
TOP



Go to step 6; page 8

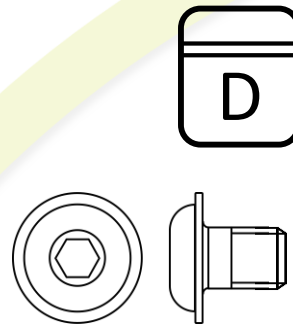
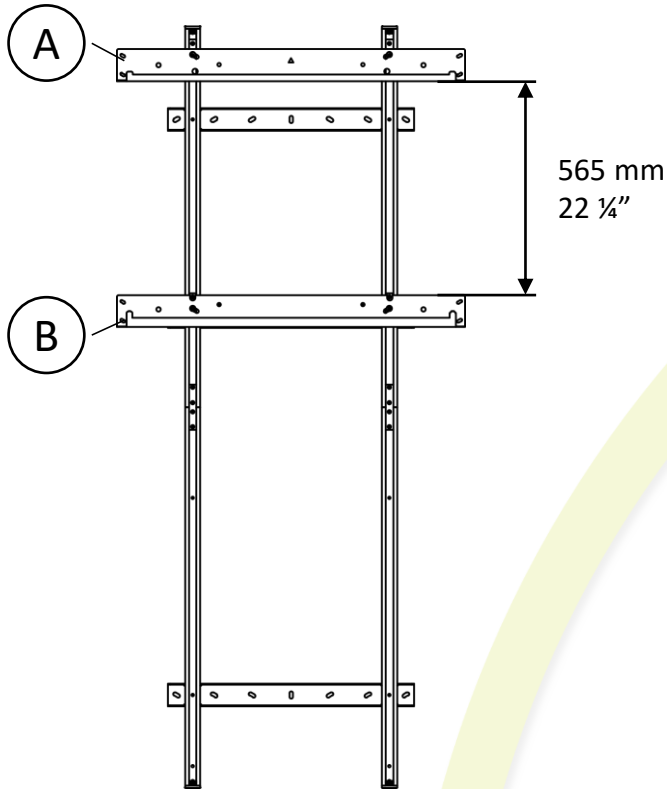
7

Universal Vesa Bracket

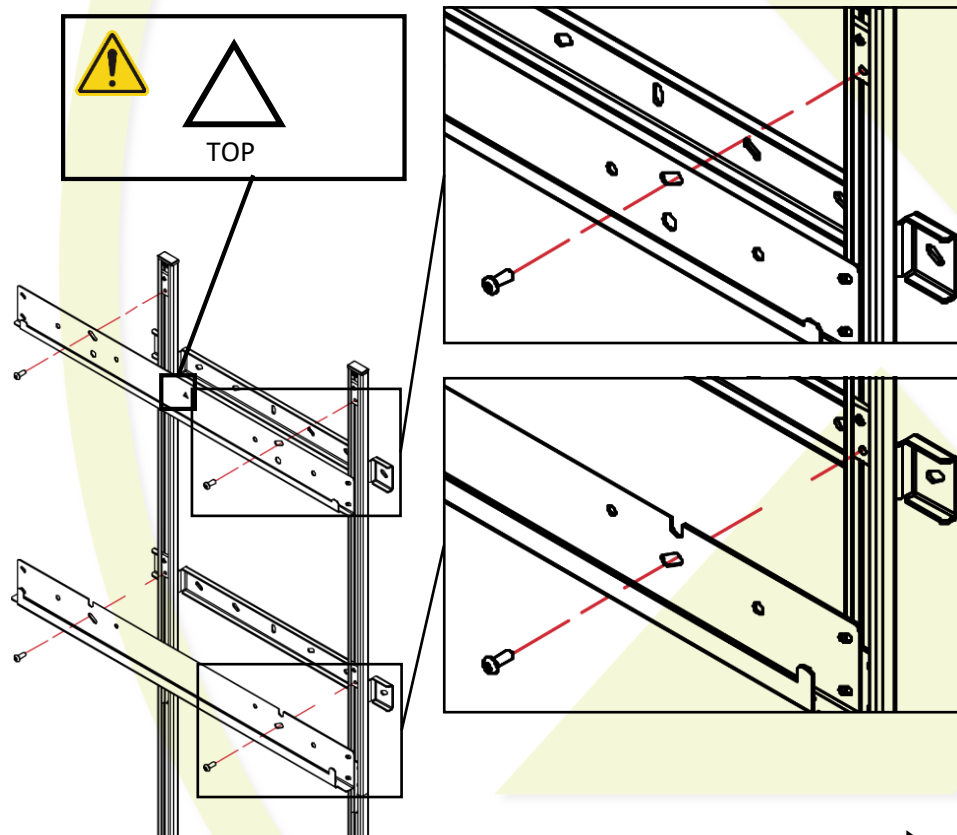
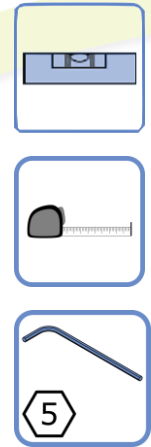
For the BalanceBox®400, BalanceBox®650 and accessories

6

Floorsupport BalanceBox®400



1:1
4x M8x12



Go to step 9; page 11

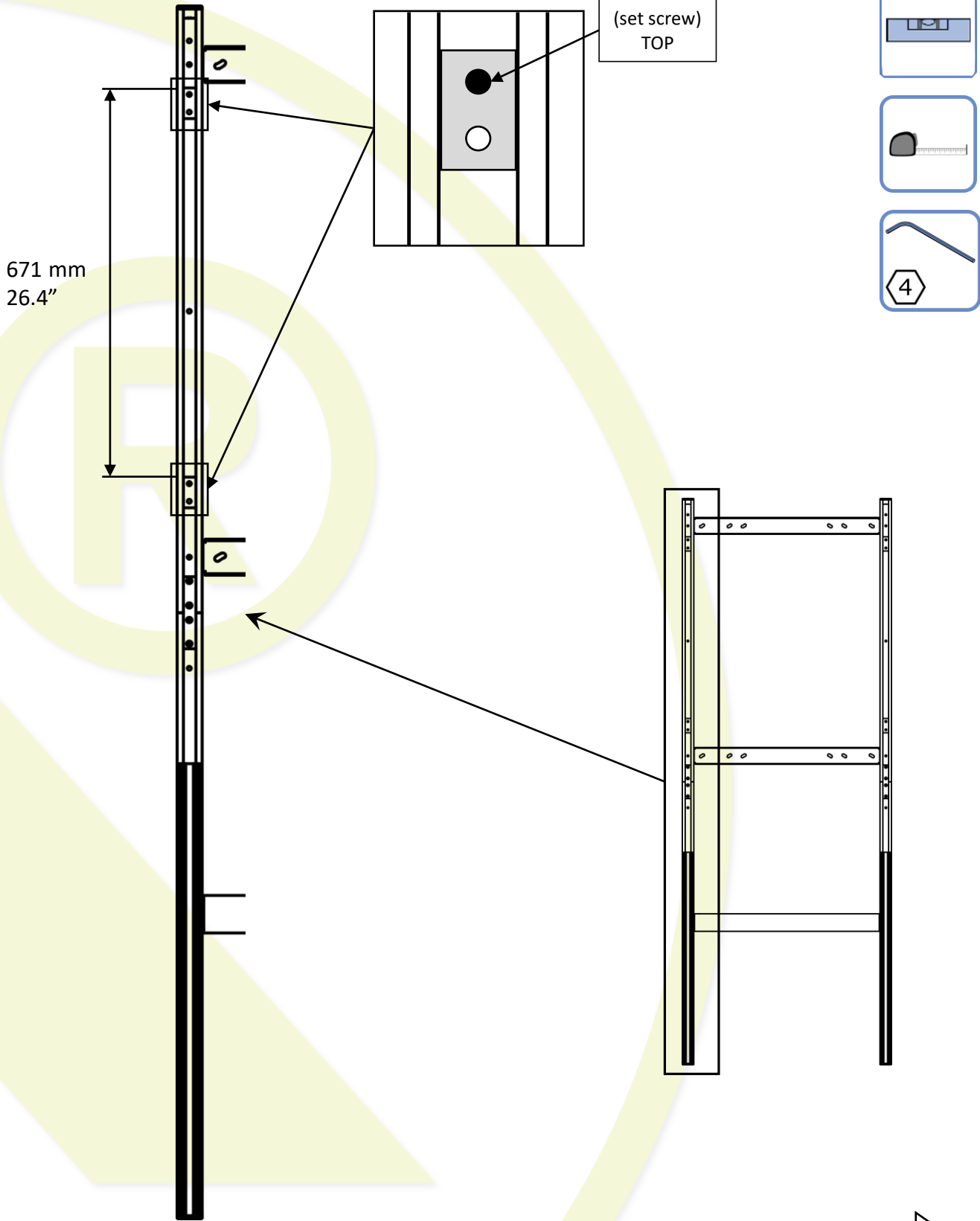
8

Universal Vesa Bracket

For the BalanceBox®400, BalanceBox®650 and accessories

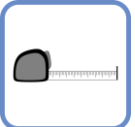
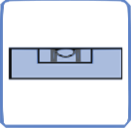
7

Floorsupport BalanceBox®650



671 mm
26.4"

(set screw)
TOP



Go to step 8; page 10

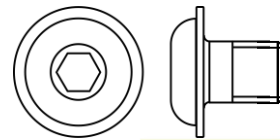
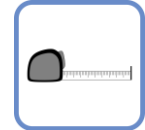
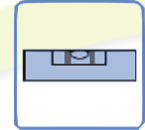
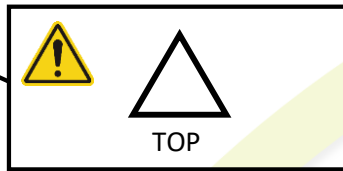
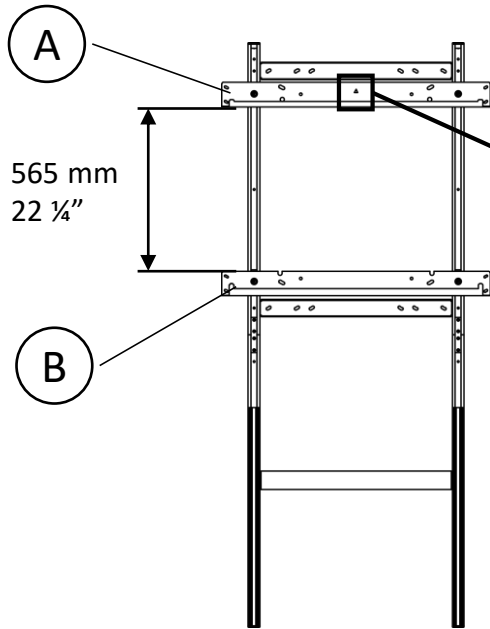
9

Universal Vesa Bracket

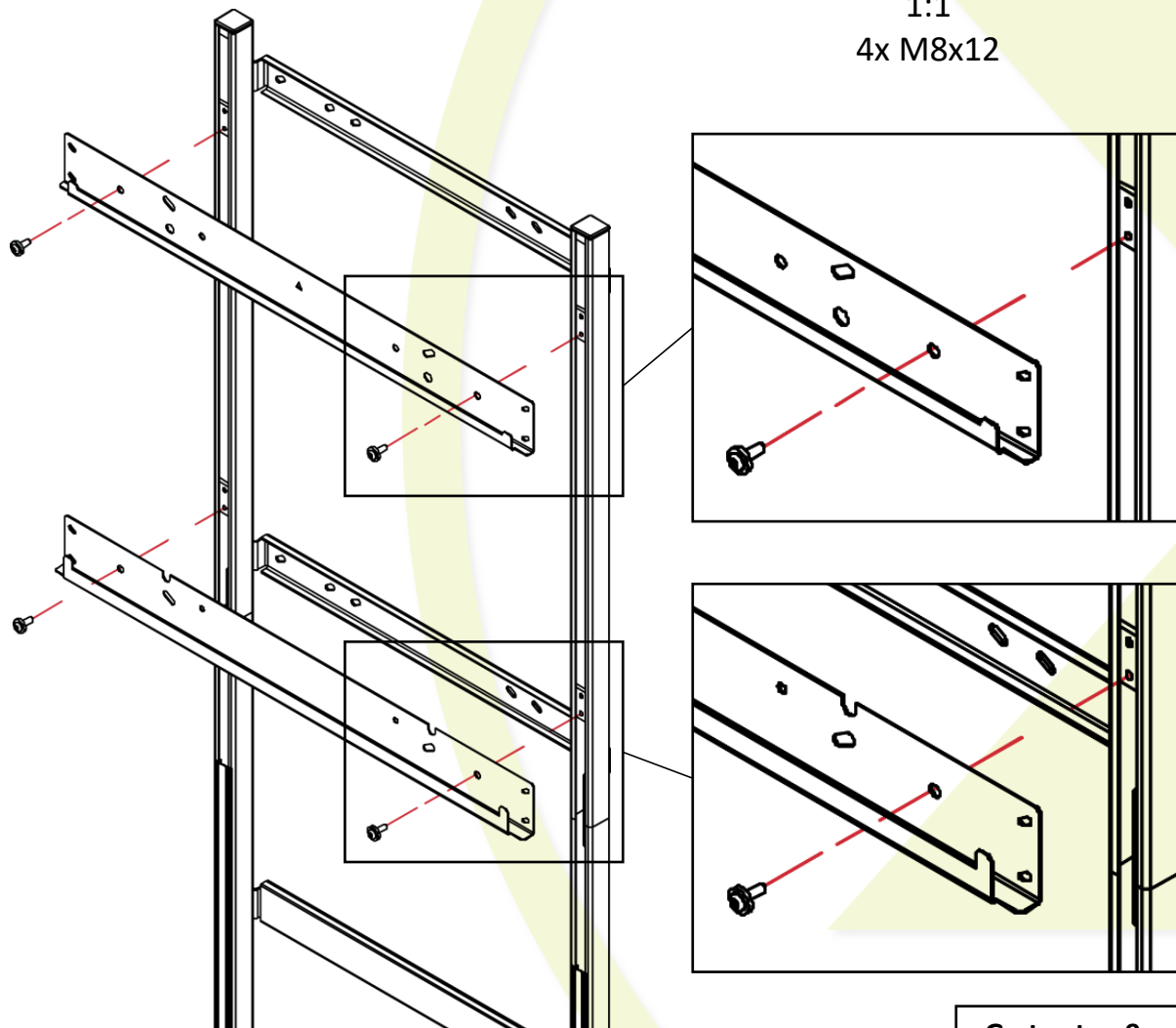
For the BalanceBox®400, BalanceBox®650 and accessories

8

Floorsupport BalanceBox®650



1:1
4x M8x12



Go to step 9; page 11

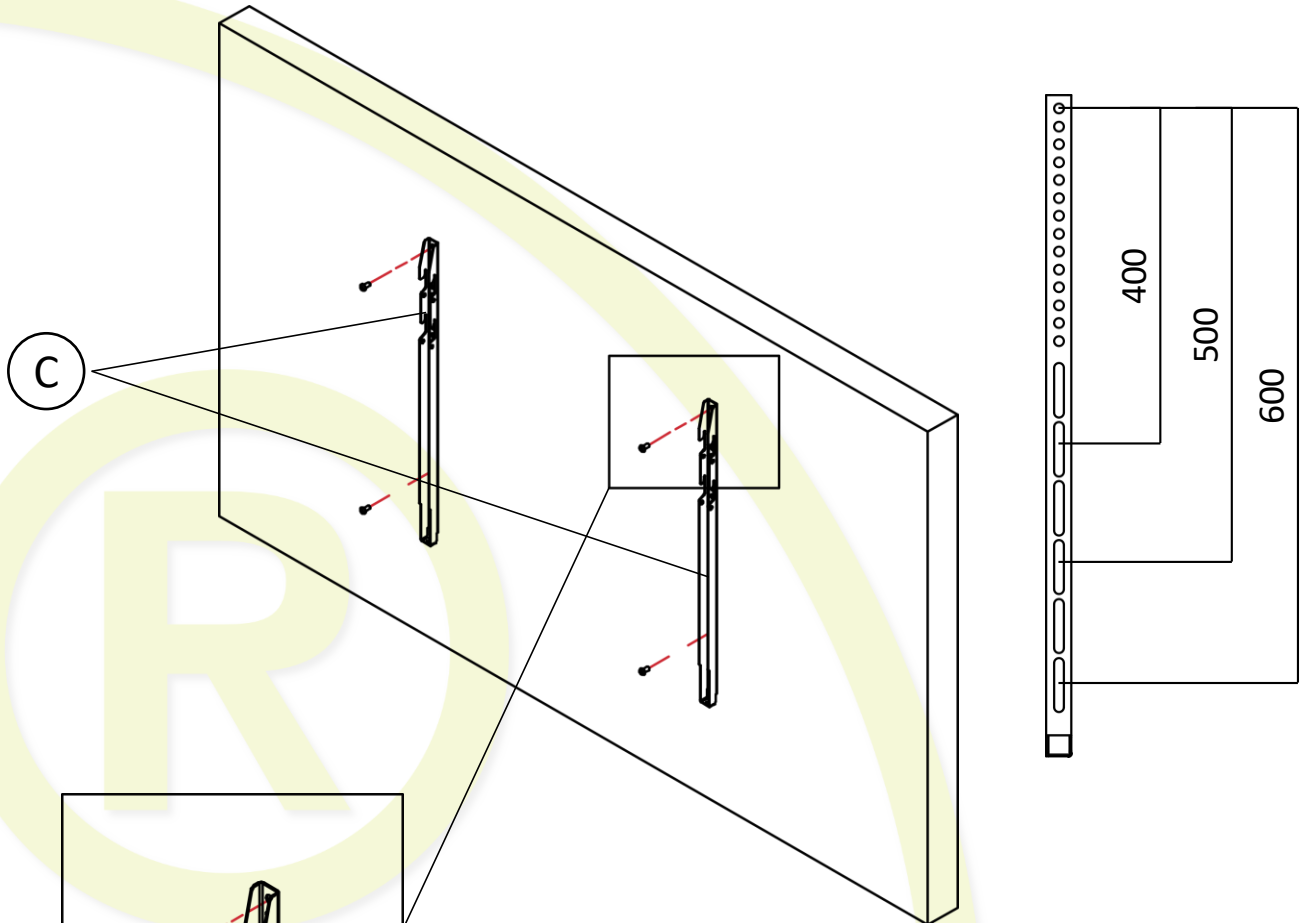
10

Universal Vesa Bracket

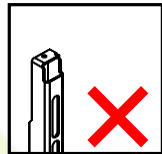
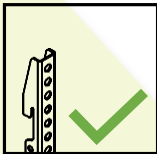
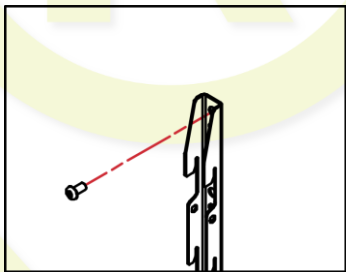
For the BalanceBox®400, BalanceBox®650 and accessories

9

Touch panel



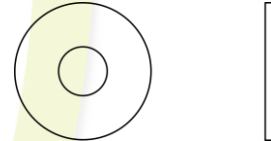
C



4x M6x12

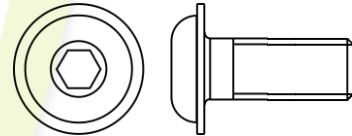


4x M6



1:1

4x M8x20



4x M10x20



Go to step 10; page 12

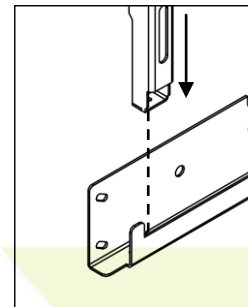
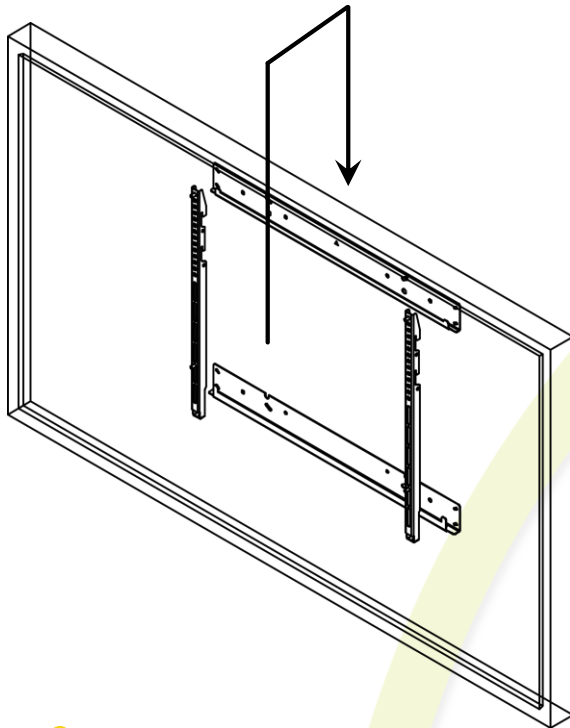
11

Universal Vesa Bracket

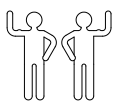
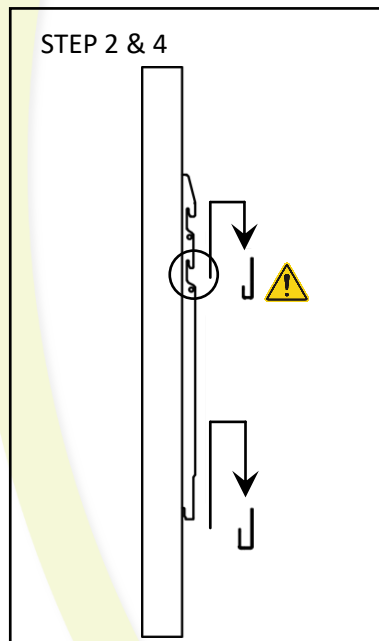
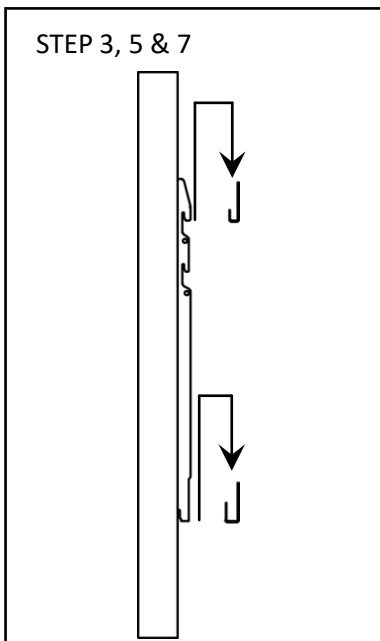
For the BalanceBox®400, BalanceBox®650 and accessories

10

Touch panel



Make sure the screen sits correctly in both horizontal brackets!



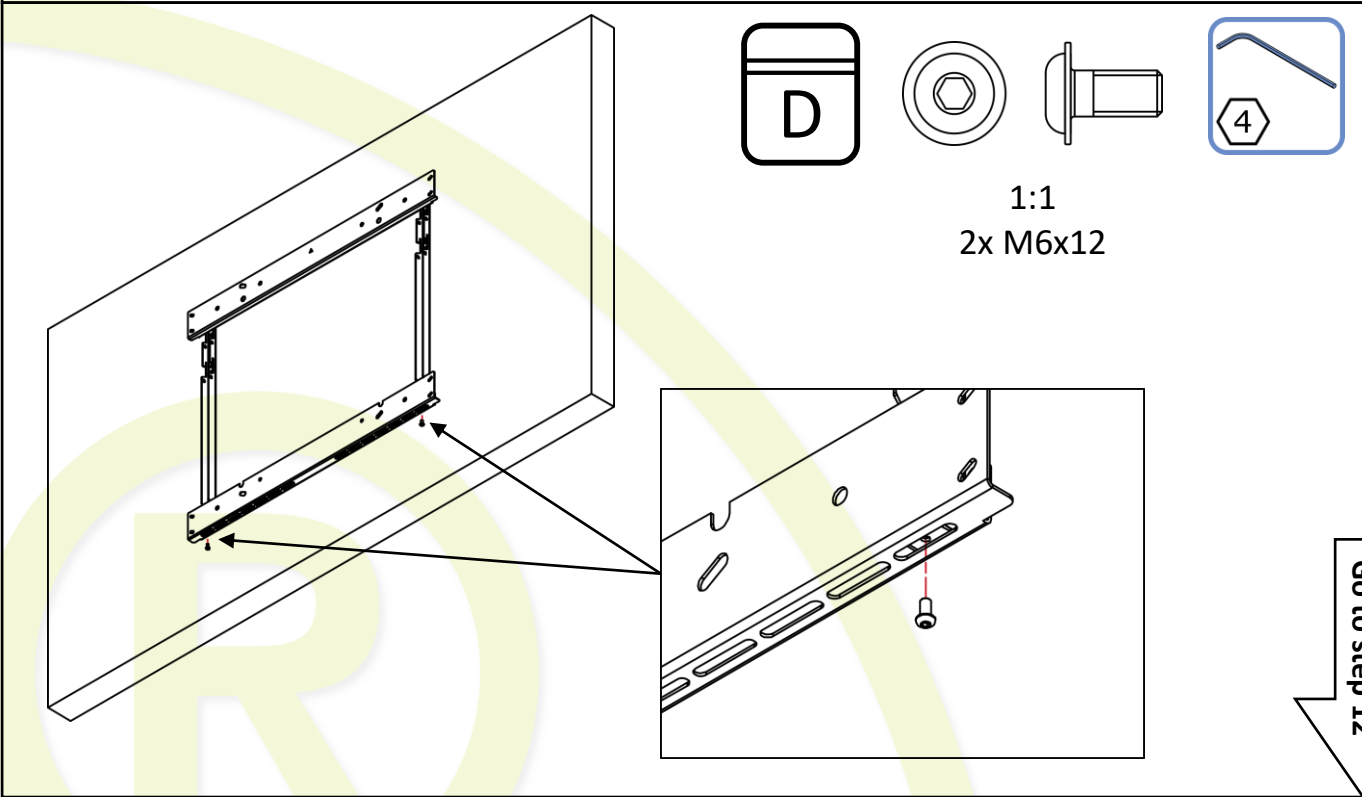
Go to step 11; page 13

Universal Vesa Bracket

For the BalanceBox®400, BalanceBox®650 and accessories

11

Lock the VESA bracket with the lock screws; M6x12 from bag D



The diagram for step 11 illustrates the process of locking the VESA bracket. On the left, a perspective view shows the bracket being attached to a monitor. On the right, a detailed inset shows a close-up of the bracket's locking mechanism, with a red arrow pointing to a hole where a screw is being inserted. Above the inset, the required hardware is listed: a bag labeled 'D', a lock screw, a lock nut, and a hex key (labeled '4'). The quantity '1:1' and '2x M6x12' are specified below the hardware icons.

Go to step 12

12



BalanceBox® 400



BalanceBox® 650

Universal Vesa Bracket

For the BalanceBox®400, BalanceBox®650 and accessories



Universal Vesa Bracket
For the BalanceBox®400, BalanceBox®650 and accessories



Part nr. 902916-02